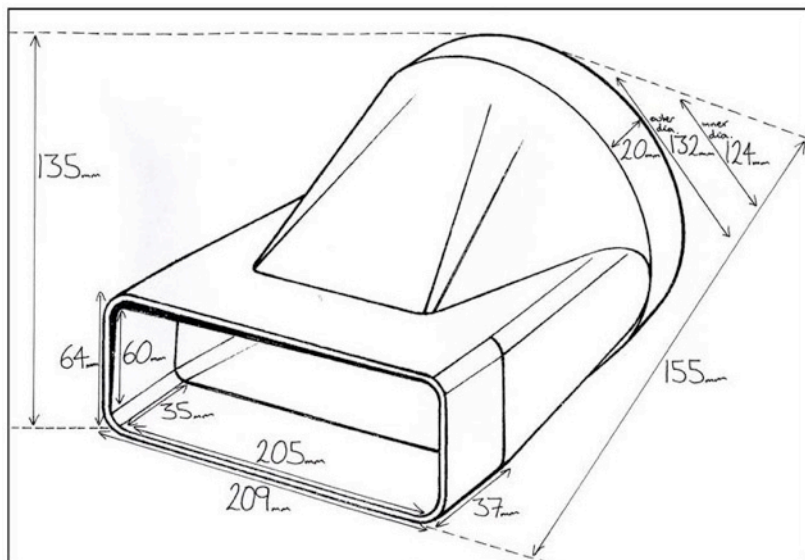


FD204R125/FD110R100



FD204R125

Static Pressure Drop in Pascals (Pa)			
15l/s		30l/s	60l/s
0.96		3.84	15.41



FD110R100

Static Pressure Drop in Pascals (Pa)		
15l/s	30l/s	60l/s
3.70	14.60	58.00

