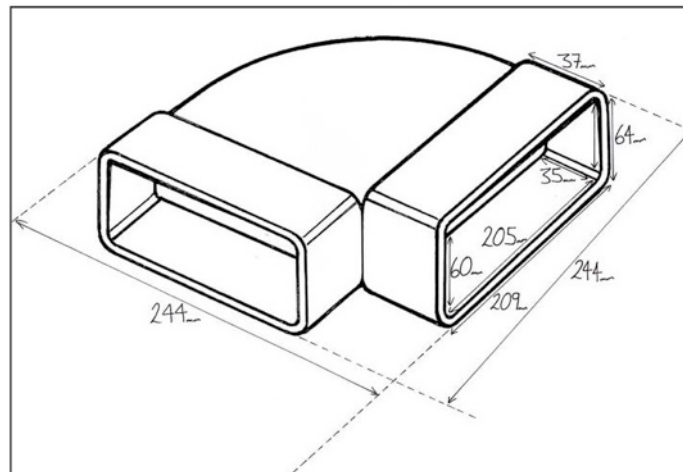


FD204HB90/FD110HB90



FD204HB90

Static Pressure Drop in Pascals (Pa)		
15l/s	30l/s	60l/s
1.82	7.46	30.60



FD110HB90

Static Pressure Drop in Pascals (Pa)		
15l/s	30l/s	60l/s
9.80	39.80	161.90

